

Selection table for accessories

Actuators													
	Insertion funnels												
		Montageplatten/Montagewinkel											
			Connection										
			SGLF				Plug connector; M12; 4-pin						
				SR6			Plug connector; 6-pin + PE						
					SR11		Plug connector; 11-pin + PE						
						RC18	Plug connector; 18-pin + PE						
							Cable glands						
										LED displays			
											Miscellaneous		
												Bolts for safety guards	
Actuators	Insertion funnels	Mounting plates/ mounting brackets	Plug connectors				Cable glands	LED displays	Miscellaneous	Bolts		Page	
			SGLF	SR6	SR11	RC18				Metal	Plastic		
•												74 - 82	
	•											83	
		•										84 / 85	
			•									85	
				•								86	
					•							86	
						•						87 / 88	
							•					89	
								•				89	
									•			90 - 92	
										•		93 - 96	
											•	97	

Actuators for safety switches SGP/STA/STP/STM

- ▶ Two stainless safety screws per actuator
- ▶ Actuators with and without rubber bushings

Note

Type S actuators must not be used in conjunction with insertion funnels.

L actuators must be used for insertion funnels.

Straight actuator

Suitable for a maximum tensile force of 2500 N for STP, or 3000 B for STA

The straight actuator is used on sliding doors or hinged doors with door radii greater than 300 mm. Safety screws prevent unscrewing of the actuator.

Bent actuator

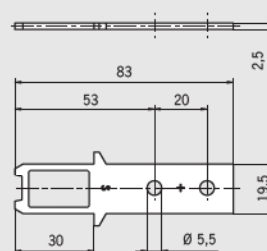
Suitable for a maximum tensile force of 1500 N.

Screws made of stainless steel

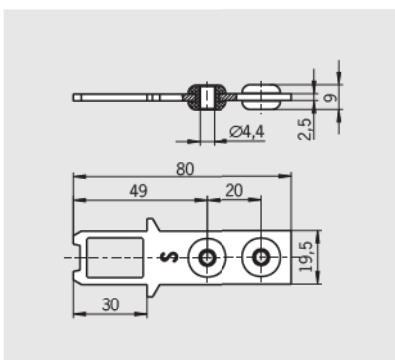
The safety screws included can be inserted with a normal tool, but cannot be removed again.

Standard actuator S, straight (dimensionally compatible with actuator P-G for TP) without rubber bush, overtravel 5 mm

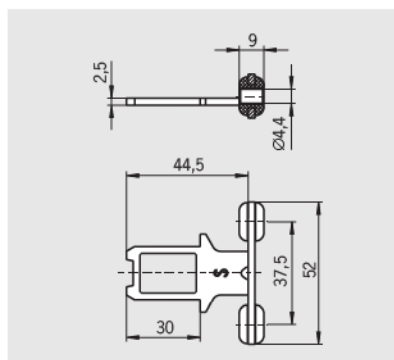
Dimension drawings



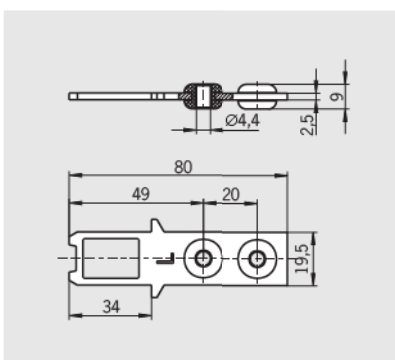
Standard actuator S, straight with rubber bush, overtravel 5 mm



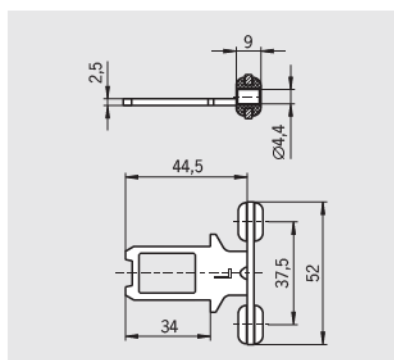
Standard actuator S, bent with rubber bush, overtravel 5 mm



Actuator L, straight, for insertion funnel with rubber bush, overtravel 5 mm



Actuator L, bent, for insertion funnel with rubber bush, overtravel 5 mm



Ordering table

Designation	Version	Min. door radius r [mm]	Packaging unit	Order No.
Actuator S straight	S-G-SN-C2115 without rubber bush, overtravel 5 mm incl. 2 safety screws M5 x 10	300	1 ea.	097 861 ACTUATOR S-G-SN-C2115
	S-GT-SN with rubber bush, overtravel 5 mm incl. 2 safety screws M4 x 14	300	1 ea.	095 738 ACTUATOR S-GT-SN
Actuator S bent	S-WQ-SN with rubber bush, overtravel 5 mm incl. 2 safety screws M4 x 14	300	1 ea.	095 740 ACTUATOR S-WQ-SN
Actuator L straight	S-GT-LN with rubber bush, overtravel 5 mm incl. 2 safety screws M4 x 14	300	1 ea.	095 739 ACTUATOR S-GT-LN
Actuator L bent	S-WQ-LN with rubber bush, overtravel 5 mm incl. 2 safety screws M4 x 14	300	1 ea.	095 741 ACTUATOR S-WQ-LN

Hinged actuators for safety switches SGP/STA/STP/STM

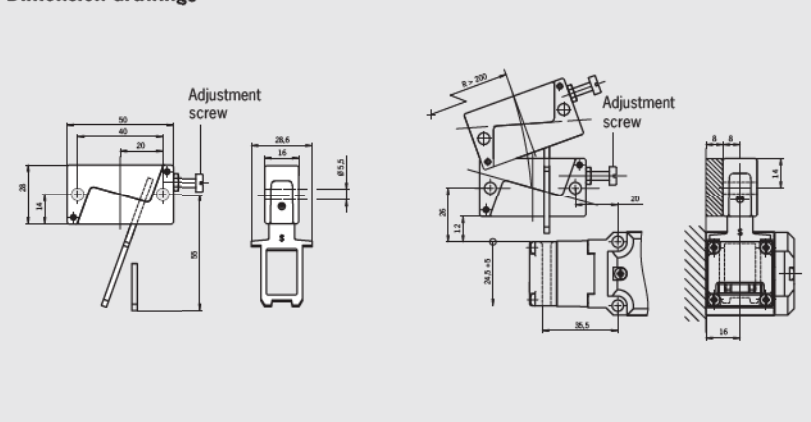
- ▶ Actuators made of stainless steel
- ▶ Two stainless safety screws per actuator
- ▶ For top and bottom hinged doors
- ▶ For right and left hinged doors

Hinged actuator

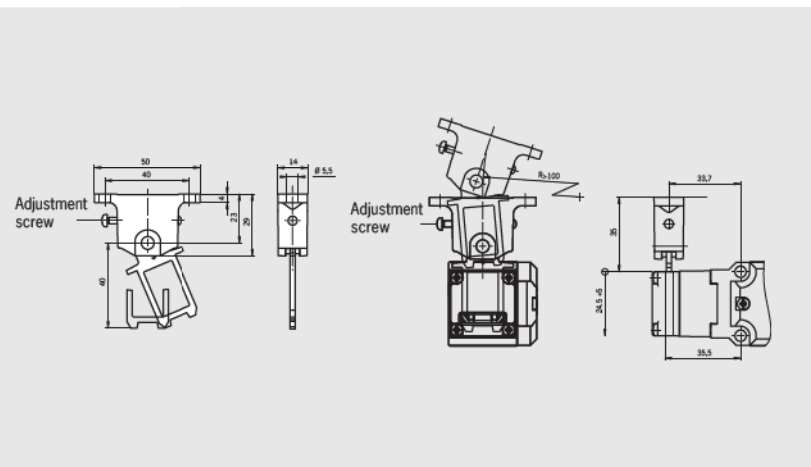
For door radii less than 1000 mm a hinged actuator should be used. The spring action movement of the actuator prevents damage due to the actuator jamming in the actuating head. Depending on the movement of the safety guard, the actuator must be selected for left/right or top/bottom.

Hinged actuator S-OU-SN
Safety guard hinged at top/bottom, overtravel 5 mm

Dimension drawings



Hinged actuator S-LR-SN
Safety guard hinged on left/right, overtravel 5 mm



Ordering table

Designation	Version	Min. door radius r [mm]	Packaging unit	Order No.
Hinged actuator	S-OU-SN For top and bottom hinged doors overtravel 5 mm incl. 2 safety screws M5 x 25	200	1 ea.	095 315 HINGED ACTUATOR-S-OU-SN
	S-LR-SN For left and right hinged doors overtravel 5 mm incl. 2 safety screws M5 x 10	100	1 ea.	096 838 HINGED ACTUATOR-S-LR-SN

Hinged actuators for safety switches SGP/STA/STP/STM

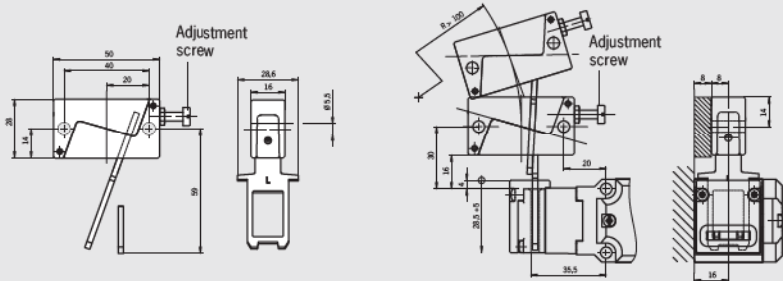
- ▶ Actuators made of stainless steel
- ▶ Two stainless safety screws per actuator
- ▶ For top and bottom hinged doors
- ▶ For right and left hinged doors

Hinged actuator

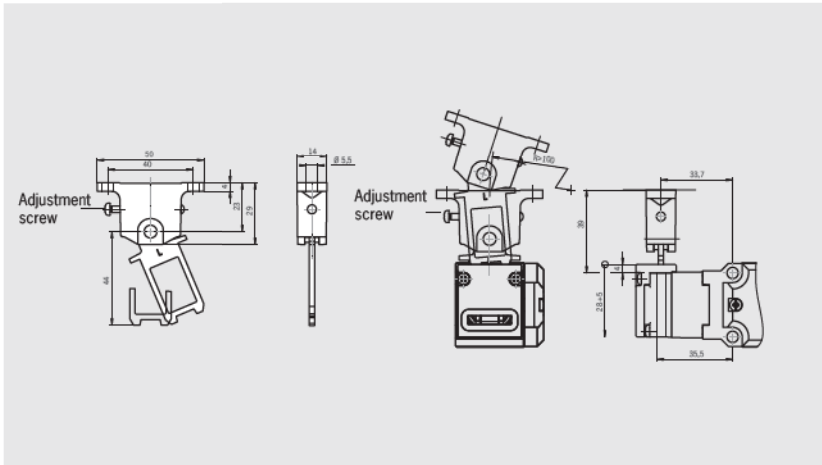
For door radii less than 1000 mm a hinged actuator should be used. The spring action movement of the actuator prevents damage due to the actuator jamming in the actuating head. Depending on the movement of the safety guard, the actuator must be selected for left/right or top/bottom.

Hinged actuator S-OU-LN for insertion funnel
Safety guard hinged at top/bottom, overtravel 5 mm

Dimension drawings



Hinged actuator S-LR-LN for insertion funnel
Safety guard hinged on left/right, overtravel 5 mm



Ordering table

Designation	Version	Min. door radius r [mm]	Packaging unit	Order No.
Hinged actuator	S-OU-LN For top and bottom hinged doors overtravel 5 mm incl. 2 safety screws M5 x 25	200	1 ea.	096 697 HINGED ACTUATOR-S-OU-LN
	S-LR-LN For left and right hinged doors overtravel 5 mm incl. 2 safety screws M5 x 10	100	1 ea.	096 844 HINGED ACTUATOR-S-LR-LN

Insertion funnels/adapters

- ▶ **Insertion funnel**
- ▶ **Adapter NP-K**

Insertion funnel

If an insertion funnel is used, even in exactly positioned actuators are inserted reliably in the actuating head due to the large opening aperture, thus protecting the safety switch against mechanical influences.

- ▶ Cannot be used in conjunction with TP safety switches with increased overtravel from top
- ▶ The insertion funnel for TP can only be used in conjunction with an actuator with long overtravel
- ▶ The insertion funnel for STP can only be used in conjunction with an actuator for insertion funnel

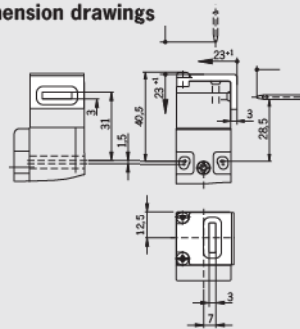
Adapter NP-K

The adapter NP-K is used for top entry overtravel applications for the NP series.

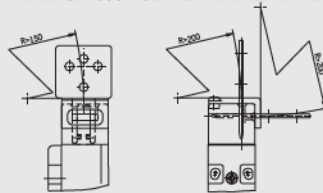
- ▶ The adapter **cannot** be used for safety switches of the GP/TP series
- ▶ 4 screws 3 x 38 (not safety screws) are supplied

Insertion funnel For safety switches NM..VZ

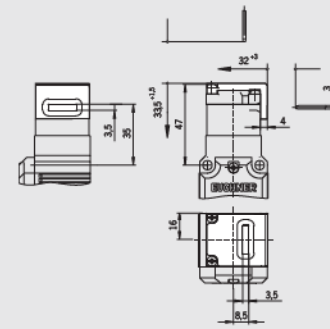
Dimension drawings



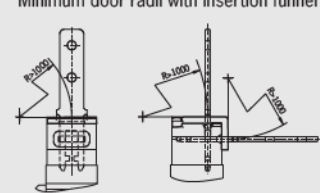
Minimum door radii with insertion funnel



Insertion funnel For safety switches NP..A/GP/TP..A

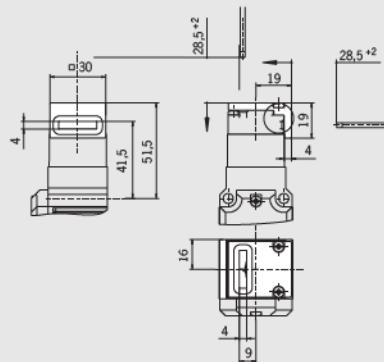


Minimum door radii with insertion funnel



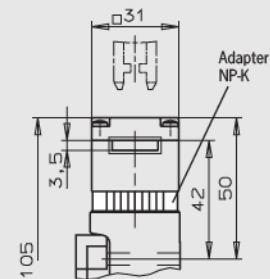
Insertion funnel For safety switches SGP/STA/STP/STM

Dimension drawings



Minimum door radius with insertion funnel R > 300 mm

Adapter NP-K For safety switches NP



Ordering table

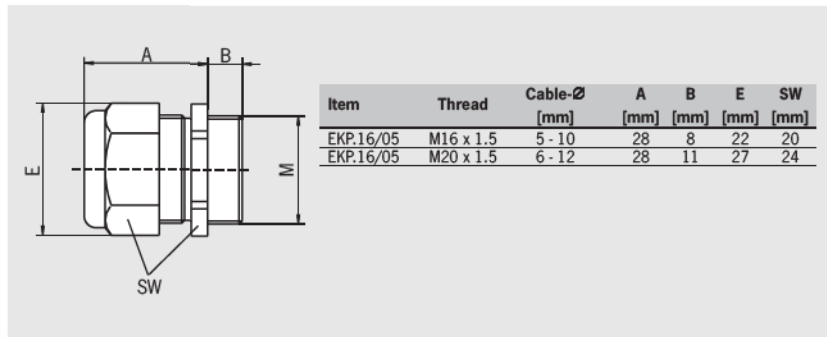
Designation	Version	Use	Order No.
Insertion funnel	Incl. 2 fastening screws	For safety switches NM..VZ	083 565 Insertion funnel M
		For safety switches NP..A/GP/TP..A without adapter	086 237 Insertion funnel NP/GP/TP
		For safety switches SGP/STA/STP/STM	093 157 Insertion funnel STP/STM
Adapter NP-K	Incl. 4 fastening screws	For safety switches NP	074 578 Adapter NP-K

Cable glands

- ▶ M16 x 1.5
- ▶ M20 x 1.5

Cable glands

Suitable for various cable diameters. Versions available in plastic and metal.



Ordering table

Thread	Version	Material	
		Metal	Plastic
M16 x 1.5	Cable diameter 5 - 10 mm	-	084 572 EKPM16/05
		-	086 233 EKPM20/06
M20 x 1.5	Cable diameter 6 - 12 mm	-	086 233 EKPM20/06
		-	086 233 EKPM20/06

LED displays for safety switches GP/ TP and STP

- ▶ LED set
- ▶ Built-in LED

LED set

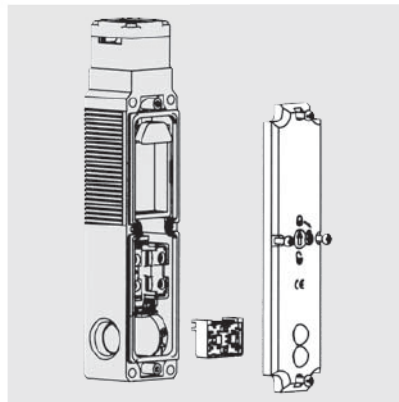
Consisting of cover with lamp caps, LED module with rectifier and two LEDs (green/red). For retrofitting safety switches TP and STP with an LED display.
Operating voltage AC/DC 24 V +10%, -15%.

Built-in LED

The built-in LED is suitable for direct installation in one of the M20 x 1.5 threads of the three cable entries of the safety switches GP/TP/STP. The built-in LED indicates to the user whether the switch is locked or whether the door is open/closed.
The switching element can be wired individually.
Operating voltage DC 24 V +10%, -15%.

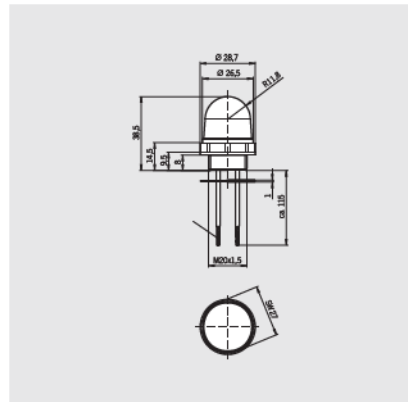
LED set

For safety switches TP/STP



Built-in LED

For safety switches GP/TP/STP/STA



Ordering table

Designation	Version	Use	Packaging unit	Order No.
LED set	Incl. cover with lamp caps and LED module with rectifier and 2 LEDs (red/green)	For safety switches TP	1 ea.	093 752 LED set TP
		For safety switches STP	1 ea.	098 035 LED set STP
Built-in LED (IP65)	Color red for cable entry M20 x 1.5, with seal light radiation to side	For safety switches GP/TP/STA/STP	1 ea.	087 423 LED M20x1.5
	Color red for cable entry M20 x 1.5, with seal light radiation to front	For safety switches GP/TP/STA/STP	1 ea.	095 510 LED-F M20x1.5